

SOLUCIONES GEOESTRUCTURALES Y PILOTAJE

CIMENTACIONES SUBTERRÁNEAS



CIMENTACIONES PROFUNDAS



CONTENCIONES



OBRAS PARA CARRETERAS Y FERROCARRILES



OBRAS MARÍTIMAS Y PORTUARIAS



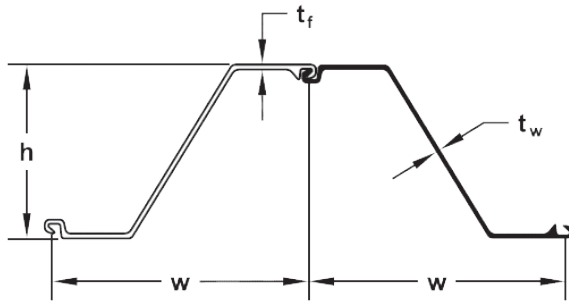
SOPORTE PARA EXCAVACIONES



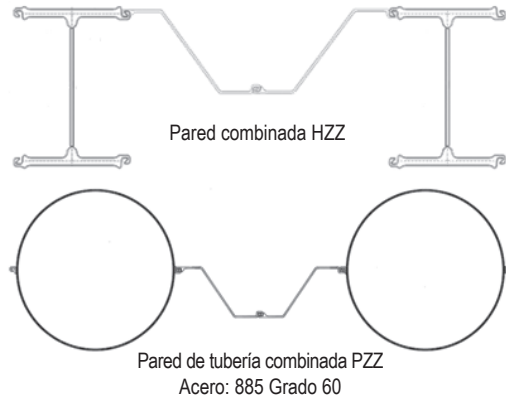
Tablestacas & Sistema de Muros Combinados

ACERCA DE JDF: JD Fields Construction Products es una fuente internacional de soluciones de acero para cimentación y pilotaje. Nuestros productos principales incluyen tablestacas metálicas, pilotes HP, tuberías de acero API, barras roscadas, accesorios, entre otros. Estratégicamente localizado cercano al puerto de Houston, contamos con un área de almacenamiento con más de 40 acres de espacio y con capacidad de para fabricación y taller de pintura. Tenemos más de 100,000 toneladas de tubería, pilotes y tablestacas metálicas en inventario para servirles a los mercados de Norteamérica, Canadá, México, el Caribe, América Central y del Sur, y también muchos otros mercados internacionales en todo el mundo.

TABLESTACAS DE ACERO LAMINADAS EN CALIENTE – DOBLE Z

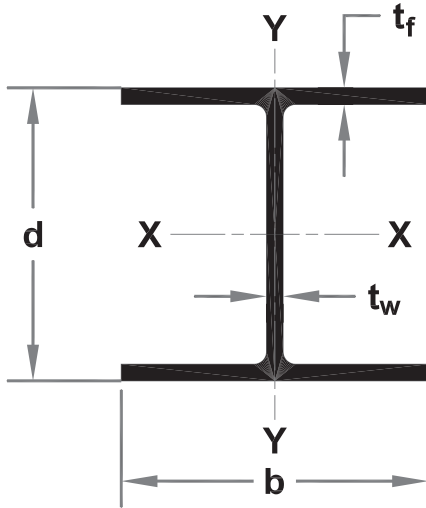


SISTEMAS DE PAREDES DE ALTA RESISTENCIA



Sección	Por Pieza Unitaria							Por Unidad de Pared					GR 60	GR 65
	Ancho (w)	Altura (h)	Espesor Patín (tf)	Espesor Alma (tw)	Sección Transversal (A)	Masa (m)	Área de Pintura Ambos Lados	Sección Transversal (A)	Masa (m)	Momento de Inercia (Iy)	Módulo resistente elástico (Sx)	Módulo resistente plástico (Sx)	Momento de Flexión No Estimado (Mmax)	
	mm	mm	mm	mm	cm ²	kg/m	m ² /m	cm ² /m	kg/m ²	cm ⁴ /m	cm ³ /m	cm ³ /m	kN-m/m	kN-m/m
	in	in	in	in	in ²	lbs/ft	ft ² /ft	in ² /ft	lbs/ft ²	in ⁴ /ft	in ³ /ft	in ³ /ft	kip-ft/ft	kip-ft/ft
ZZ12-770	770	343.5	8.6	8.5	92.99	72.8	1.96	120.8	94.5	21,496	1,252	1,488	518	561
	30.31	13.52	0.339	0.335	14.41	48.92	6.44	5.71	19.37	157.4	23.3	23.3	116.4	126.1
ZZ13-770	770	344	9.1	9	97.4	76.2	1.96	126.5	99.0	22,433	1,304	1,551	54	585
	30.31	13.54	0.358	0.354	15.10	51.22	6.44	5.98	20.28	164.3	24.3	24.3	121.3	131.4
ZZ14-770	770	344.5	9.6	9.5	101.80	79.6	1.96	132.2	103.4	23,370	1,3570	1,613	561	608
	30.31	13.56	0.378	0.375	15.78	53.52	6.44	6	21.19	171	25.2	25.2	126.2	136.7
ZZ12-700	700	314.2	8.6	8.5	86.47	67.9	12	123.5	97.0	18,971	1,208	1,418	500	541
	27.56	12.37	0.339	0.335	13.40	45.62	5.97	5.84	19.86	138.9	22.5	26.4	112.3	121.7
ZZ13-700	700	315.2	9.6	9.5	94.47	74.2	1.82	135.0	105.9	20,611	1,308	1,543	541	586
	27.56	12.41	0.378	0.374	14.64	49.84	5.97	6.36	21.70	150.9	24.3	26.7	121.7	131.8
ZZ14-700	700	316.2	10.6	10.5	102.5	80.5	1.82	146.4	114.9	22,262	1,408	1,669	582	631
	27.56	12.45	0.417	0.413	15.89	54.07	5.97	6.92	23.54	163.0	26.2	31.0	131.0	141.9
ZZ17-700	700	420	8.5	8.4	92.99	73.3	1.97	132.8	104.7	36,425	1,735	2,032	717	777
	27.56	16.54	0.335	0.331	14.41	49.26	6.47	6.26	21.45	266.7	32.3	37.8	161.3	174.7
ZZ18-700	700	420.5	9.1	9	97.40	76.7	1.97	139.1	109.6	36,001	1,807	2,132	748	810
	27.56	16.56	0.358	0.354	15.10	51.58	6.47	6.57	22.46	278.3	33.6	39.8	168.1	182.1
ZZ19-700	700	421	9.6	9.5	101.80	80.2	1.97	145.4	114.6	39,578	1,880	2,210	778	843
	27.56	16.57	0.378	0.375	15.78	53.90	6.47	6.87	23.47	289.8	35.0	41.2	174.9	189.4
ZZ20-700	700	421.5	10.1	10	106.20	83.7	1.97	151.7	119.5	41,155	1,953	2,304	808	875
	27.56	16.59	0.396	0.394	16.46	56.22	6.47	7.17	24.48	301.4	36.3	42.9	181.6	196.7
ZZ24-700	700	459.2	11.3	11.2	122.06	95.8	2.05	17.4	136.9	55,949	2,437	2.85	1,008	1,092
	27.56	18.08	0.455	0.441	18.92	64.39	6.71	8.24	28.04	409.7	45.3	53.7	226.7	245.5
ZZ26-700	700	460.2	12.3	12.2	131.18	103.0	2.05	187.4	1.1	59,843	2,601	3,071	1,076	1,166
	27.56	18.12	0.484	0.480	20.33	69.21	6.72	8.85	30.13	436.2	48.4	57.1	241.9	262.1
ZZ27-700	700	460.7	12.8	12.7	135.50	106.4	2.05	193.6	152.0	61,641	2,676	3,089	1,107	1,199
	27.56	18.14	0.504	0.500	21.00	71.48	6.72	9.14	31.12	451.4	49.8	57	248.9	269.6
ZZ28-700	700	461.2	13.3	13.2	140.30	110.1	2.05	200.4	157.3	63,740	2,764	3,278	1,144	1,239
	27.56	18.16	0.542	0.520	21.75	74.02	6.72	9.47	32.23	486.8	51.4	61.0	257.1	278.5
ZZ36-700	700	499.2	15.1	11.2	151.27	118.7	2.18	216.1	169.6	89,753	3,596	4,151	1,488	1,612
	27.56	19.65	0.594	0.441	23.45	79.80	7.14	10.21	34.75	657.2	66.9	77.3	334.5	362.3
ZZ38-700	700	500.2	16.1	12.2	161.16	126.5	2.18	230.2	180.7	94,964	3,796	4,363	1,157	1,202
	27.56	19.69	0.634	0.480	24.96	85.02	7.14	10.88	37.02	695.8	70.6	81.2	353.2	382.6
ZZ40-700	700	501.2	17.1	13.2	171.06	134.3	2.18	244.4	191.8	100,219	3,999	4,610	1,655	1,792
	27.56	19.73	0.673	0.520	26.51	90.24	7.15	11.54	39.29	733.9	74.4	85.8	372.0	402.9
ZZ42-700	700	499.2	18.1	14	182.12	143.0	2.17	260.2	204.2	105,543	4,229	4,882	1,749	1,895
	27.56	19.65	0.713	0.551	28.23	96.08	7.11	12.29	41.83	772.9	78.7	90.9	393.3	426.0
ZZ44-700	700	500.2	19.1	15	192.02	150.7	2.17	274.3	215.3	110,942	4,436	5,096	1,835	1,988
	27.56	19.69	0.752	0.591	29.76	101.30	7.11	12.96	44.11	812.4	82.5	94.8	412.6	446.9
ZZ46-700	700	501.2	21	16	201.93	158.5	2.17	288.5	226.5	116,159	4,635	5,343	1,918	2,077
	27.56	19.73	0.791	0.60	31.30	106.53	7.11	13.63	46.38	850.6	86.2	99.4	431.1	467.0
ZZ48-700	700	503.2	22.1	15	202.99	159.3	2.17	290.0	227.6	120,467	4,788	5,528	1,981	2,146
	27.56	19.81	0.870	0.591	31.46	107.09	7.11	13.70	46.63	882.2	89.1	102.9	445.3	482.4
ZZ50-700	700	504.2	23.1	16	212.41	196.7	2.17	303.4	238.2	125,358	4,973	5,713	2,057	2,229
	27.56	19.85	0.909	0.630	32.92	112.06	7.11	14.34	48.79	918.0	92.5	106.3	462.5	501.0
ZZ52-700	700	505.2	24.1	17	222.07	174.3	2.17	317.2	249.0	130,403	5,162	5,951	2,136	2,314
	27.56	19.89	0.949	0.669	34.42	117.15	7.11	14.99	51.01	954.9	96.0	110.7	480.2	520.2
ZZ48-580	580	482	19.2	15.1	178.17	139.9	2.01	307.2	241.1	115,712	4,801	5,555	1,986	2,152
	22.83	18.98	0.756	0.594	27.62	93.99	6.59	14.52	49.40	847.3	89.3	103.3	446.6	483.8

PERFIL HP



Grado de acero						
NORMA AMERICANA			NORMA CANADIENSE**			
ASTM	LIMITE ELÁSTICO MÍN.		LIMITE ELÁSTICO MÍN.		EN 10034	LIMITE ELÁSTICO MÍN.
	(ksi)	(MPa)	(ksi)	(MPa)		
A 36	36	250	44	300	HISTAR 355	51 355
A 572 Grado 50*	50	345	50	350	HISTAR 420	61 420
A 572 Grado 60	60	415			HISTAR 460	67 460
A 588	50	345				
A 690	50	345				

Sección HP	Peso (m)	Área (A)	Peralte (d)	Ancho del Patín (b)	Espesor		Área de Pintura	Propiedades Elásticas							
					Patín (t _f)	Alma (t _w)		Eje X-X				Eje Y-Y			
								I	S	Z	r	I	S	Z	r
	lb/ft	in ²	in	in	in	in	ft ² /ft	in ⁴	in ³	in ³	in	in ⁴	in ³	in ³	in
	(kg/m)	(cm ²)	(mm)	(mm)	(mm)	(mm)	(m ² /m)	(cm ⁴)	(cm ³)	(cm ³)	(cm)	(cm ⁴)	(cm ³)	(cm ³)	(cm)
8X8 HP 200	36	10.6	8.02	8.16	0.445	0.445	3.92	119	29.8	33.6	3.36	40.3	9.88	15.2	1.95
	54	68.4	204	207	11.3	11.3	1.19	4953	488	550.6	8.53	1677	162	249.1	4.95
	42	12.4	9.70	10.10	0.420	0.415	4.83	210	43.4	48.3	4.13	71.7	14.2	21.8	2.41
10X10 HP 250	63	80.0	246	257	10.7	10.5	1.47	8741	711	791.5	10.5	2984	233	357.2	6.12
	57	16.7	9.99	10.20	0.565	0.565	4.91	294	58.8	66.5	4.18	101	19.7	30.3	2.45
	85	108	254	259	14.4	14.4	1.50	12237	964	1089.7	10.6	4204	323	496.5	6.22
12X12 HP 310	53	15.5	11.80	12.00	0.435	0.435	5.82	393	66.7	74.0	5.03	127	21.1	32.2	2.86
	79	100	300	305	11.0	11.0	1.77	16358	1093	1212.6	12.8	5286	346	527.7	7.26
	63	18.4	11.90	12.10	0.515	0.515	5.86	472	79.1	88.3	5.06	153	25.3	38.7	2.88
	94	119	302	307	13.1	13.1	1.79	19646	1296	1447.0	12.9	6368	415	634.2	7.32
	74	21.8	12.10	12.20	0.610	0.605	5.91	569	93.8	105	5.11	186	30.4	46.6	2.92
	110	141	307	310	15.5	15.4	1.80	23683	1537	1720.6	13.0	7742	498	763.6	7.42
	84	24.6	12.30	12.30	0.685	0.685	5.97	650	106	120	5.14	213	34.6	53.2	2.94
	125	159	312	312	17.4	17.4	1.82	27055	1737	1966.4	13.1	8866	567	871.8	7.47
	89	25.9	12.36	12.32	0.720	0.720	6.04	689	111.6	126.3	5.16	225	36.5	56.2	2.94
	132	167	314	313	18.3	18.3	1.84	28700	1830	2070	13.1	9370	599	922	7.48
	102	29.9	12.56	12.64	0.819	0.819	6.17	811	129.3	147.6	5.20	276	43.7	67.1	3.04
	152	193	319	321	20.8	20.8	1.88	33800	2120	2420	13.2	11500	716	1100	7.71
	117	34.4	12.76	12.87	0.929	0.929	6.26	946	148.2	170.8	5.24	331	51.4	79.3	3.11
174	222	324	327	23.6	23.6	1.91	39400	2430	2800	13.3	13800	843	1300	7.89	
14X14 HP 360	73	21.4	13.60	14.60	0.505	0.505	6.96	729	107	118	5.84	261	35.8	54.6	3.49
	109	138	345	371	12.8	12.8	2.12	30343	1753	1933.7	14.8	10864	587	894.7	8.86
	89	26.1	13.80	14.70	0.615	0.615	7.02	904	131	146	5.88	326	44.3	67.7	3.53
	132	168	351	373	15.6	15.6	2.14	37627	2147	2392.5	14.9	13569	726	1109.4	8.97
	102	30.1	14.00	14.80	0.705	0.705	7.06	1050	150	169	5.92	380	51.4	78.8	3.56
	152	194	356	376	17.9	17.9	2.15	43704	2458	2769.4	15.0	15817	842	1291.3	9.04
16X16 HP 410	117	34.4	14.20	14.90	0.805	0.805	7.12	1220	172	194	5.96	443	59.5	91.4	3.59
	174	222	361	378	20.4	20.4	2.34	50780	2819	3179.1	15.1	18439	975	1497.8	9.12
	88	25.8	15.30	15.70	0.540	0.540	7.52	1110	145	161	6.56	349	44.5	68.2	3.68
	131	167	389	399	13.7	13.7	2.29	46201	2376	2638.3	16.7	14526	729	1117.6	9.35
	101	29.9	15.50	15.80	0.625	0.625	7.56	1300	168	187	6.59	412	52.2	80.1	3.71
	150	193	394	401	15.9	15.9	2.30	54110	2753	3064.4	16.7	17149	855	1312.6	9.42
	121	35.8	15.80	15.90	0.750	0.750	7.62	1590	201	226	6.66	504	63.4	97.6	3.75
	180	231	401	404	19.1	19.1	2.32	66180	3294	3703.5	16.9	20978	1039	1599.4	9.53
	141	41.7	16.00	16.00	0.875	0.875	7.69	1870	234	264	6.70	599	74.9	116	3.79
	210	269	406	406	22.2	22.2	2.34	77835	3835	4326.2	17.0	24932	1227	1900.9	9.63
18X18 HP 460	162	47.7	16.30	16.10	1.000	1.000	7.75	2190	269	306	6.78	697	86.6	134	3.82
	241	308	414	409	25.4	25.4	2.36	91154	4408	5014.4	17.2	29011	1419	2195.9	9.70
	183	54.1	16.50	16.30	1.130	1.130	7.81	2510	304	349	6.81	818	100.0	156	3.89
	272	349	419	414	28.7	28.7	2.38	104473	4982	5719.1	17.3	34047	1639	2556.4	9.88
	135	39.9	17.50	17.80	0.750	0.750	8.54	2200	251	281	7.43	706	79.3	122	4.21
	201	257	445	452	19.1	19.1	2.60	91570	4113	4604.7	18.9	29386	1299	1999.2	10.7
	157	46.2	17.70	17.90	0.870	0.870	8.60	2570	290	327	7.46	833	93.1	143	4.25
	234	298	450	455	22.1	22.1	2.62	106971	4752	5358.5	18.9	34672	1526	2343.3	10.8
	181	53.2	18.00	18.00	1.000	1.000	8.66	3020	336	379	7.53	974	108.0	167	4.28
	269	343	457	457	25.4	25.4	2.64	125701	5506	6210.7	19.1	40541	1770	2736.6	10.9
	204	60.2	18.30	18.10	1.130	1.130	8.73	3480	380	433	7.60	1120	124.0	191	4.31
	304	388	465	460	28.7	28.7	2.66	144847	6227	7095.6	19.3	46618	2032	3129.9	11.0

- Pilotes en tubos de acero con diámetros grandes y pequeños
- Tablestacas roladas en frío en secciones ligeras y pesadas
- Anclaje & Sistema de Pilote Helicoidal
- Perfiles Estructurales & Vigas WF



HOUSTON

(Headquarters)
55 Waugh Dr.,
Suite 1250
Houston, TX 77007
Phone: 281-558-7199
Fax: 281-870-9918

DALLAS

4925 Greenville Ave
Suite 200
Dallas, TX 75206
Phone: 214-800-5126
Fax: 214-800-2605

CALIFORNIA

255 W. Central Ave.
Suite 204
Brea, CA 92821
Phone: 714-257-2005
Fax: 714-257-2015

COLORADO

Lone Tree Professional Center
9220 Teddy Lane
Suite 2000
Lone Tree, CO 80124
Phone: 303-339-9630
Fax: 303-339-9757

MIDWEST

231 Bemiston Avenue
Suite 800
St. Louis, MO. 63105
Phone: 314-854-1380
Fax: 314-854-1382

NORTHEAST

75 Arlington St.
Suite 500
Boston MA 02116
Phone: 508-280-5244
Fax: 857-241-3601

FLORIDA, MEXICO, CARIBBEAN & SOUTH AMERICA

1900 Summit Tower Blvd
Suite 620
Orlando, Florida 32810
Phone: 407-960-4070
Fax: 407-960-4326

CANADA

3608 Saint-Charles Blvd.
Suite 9
Kirkland, QC H9H 3C3
Phone: 514-694-5151
Toll Free: 844-694-5151
Fax: 514-630-0505

NEW ORLEANS, GULF SOUTH

1330 Greengate Drive
Suite 120
Covington, LA 70433
Phone: 985-234-4567
Fax: 985-234-4572

PITTSBURGH

300 Mt. Lebanon Blvd.
Suite 308
Pittsburgh, PA 15234
Sales: 412-343-6058
Technical: 412-343-6051
Fax: 412-343-6093

**Manual completo de Soluciones
Geoestructurales y Pilotaje, por
favor contactar 855-JD-FIELDS**